



Big Foot Fix-it Foot

Pipework | Ductwork | Cable Trays

Typical Application

The seven sizes of Fix-it Foot are a neat and tidy support solution from Big Foot. The feet have 40mm x 20mm aluminium channel recessed into the top face, allowing fixing of the services resting across the feet. Suitable for pipework, duct and cable tray runs.

The recesses in the underside allow for small debris on the roof surface. The Fix-it Foot is made of durable recycled rubber, which offers built-in anti-vibration and makes it both economical and environmentally responsible.

Fix-it Foot

Big Foot Fix-it Foot feet are a neat and tidy support solution. Made from UV stabilised, recycled rubber with a channel moulded into the top face, allowing fixing of 40mm x 40mm box section or strut.

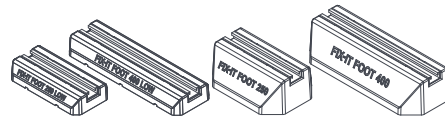
PLEASE NOTE:

The Fix-it Foot is supplied without any fixings or fittings.

FEET FLEECES

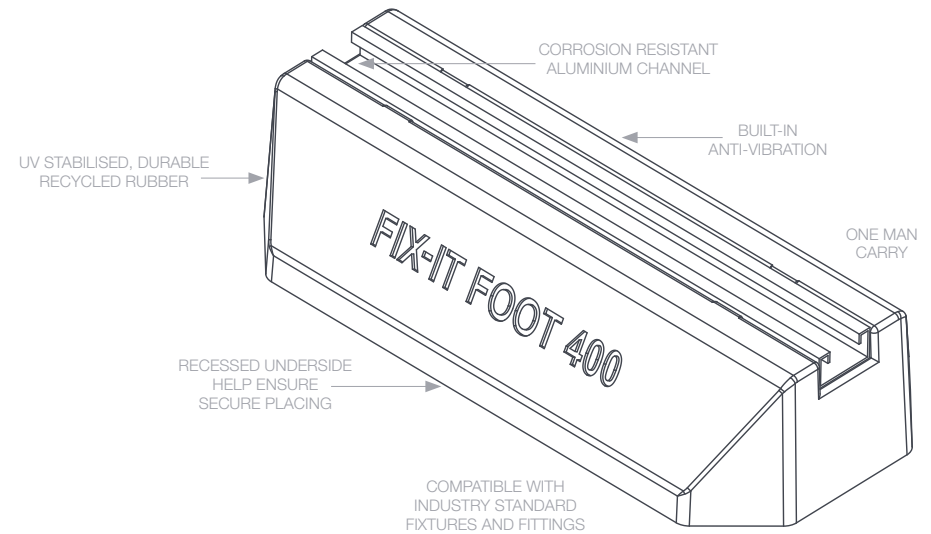
Recommended for use on PVC membrane roof surfaces to prevent migration of plasticizers.

FIX-IT FOOT: 250 LOW, 400 LOW, 250 & 400



Technical Information

Model	Part No.	Height (mm)	Width (mm)	Length (mm)	Max. Loading per Foot (kg)	Packaged Weight (kg)
250	B6735	95	180	250	160	2.3
400	B6736	95	180	400	260	3.7
600	B6737	95	220	600	474	5.5
1000	B9096	95	180	1000	645	9.3
250L	B9043	50	130	250	160	1.2
400L	B9045	50	130	400	260	2.5
500L	B9368	50	130	500	367	4.6



Material Specification

FIX-IT FOOT

SBR-Recycled Rubber. Bound using a ratio of high quality moisture curing Polyurethane Pre-Polymer. BS7188:1989 +A2:2009 and BS EN1176-7:2008

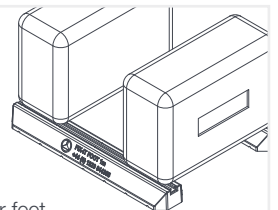
METAL PROFILE

Aluminium 40mm x 20mm profile compatible with strut fixings

WORKING CONDITIONS

Suitable for internal or external applications in temperatures between -40°C to +80°C. BSEN60068-2-14

Fix-it Foot Mini Split Kit



KIT INCLUDES

- 2 x 600mm rubber feet
- 2 x Fixing kits

Part No.	Length (mm)
B9284	600